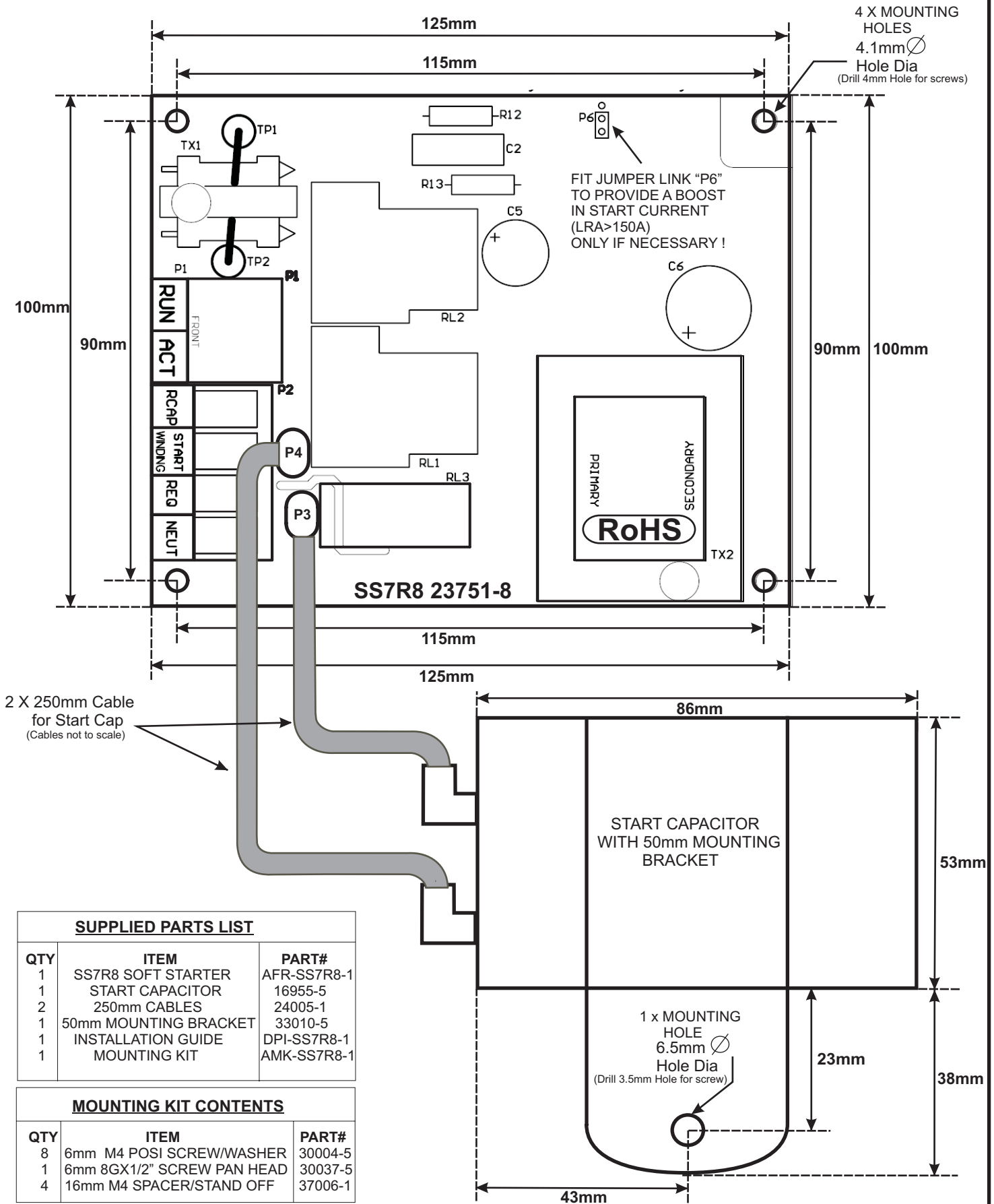


SS7R8 SINGLE PHASE SOFT STARTER INSTALLATION GUIDE



SUPPLIED PARTS LIST

QTY	ITEM	PART#
1	SS7R8 SOFT STARTER	AFR-SS7R8-1
1	START CAPACITOR	16955-5
2	250mm CABLES	24005-1
1	50mm MOUNTING BRACKET	33010-5
1	INSTALLATION GUIDE	DPI-SS7R8-1
1	MOUNTING KIT	AMK-SS7R8-1

MOUNTING KIT CONTENTS

QTY	ITEM	PART#
8	6mm M4 POSI SCREW/WASHER	30004-5
1	6mm 8GX1/2" SCREW PAN HEAD	30037-5
4	16mm M4 SPACER/STAND OFF	37006-1

ACTRON CONTROLS Pty Limited
UNIT 30
17-37 LORRAINE ST
PEAKHURST NSW 2210
SYDNEY AUSTRALIA
PHONE: +61 2 9533 2300
FAX: +61 2 9533 2252



SS7R8 SINGLE PHASE
SOFT STARTER
INSTALLATION GUIDE

REVISION DATE

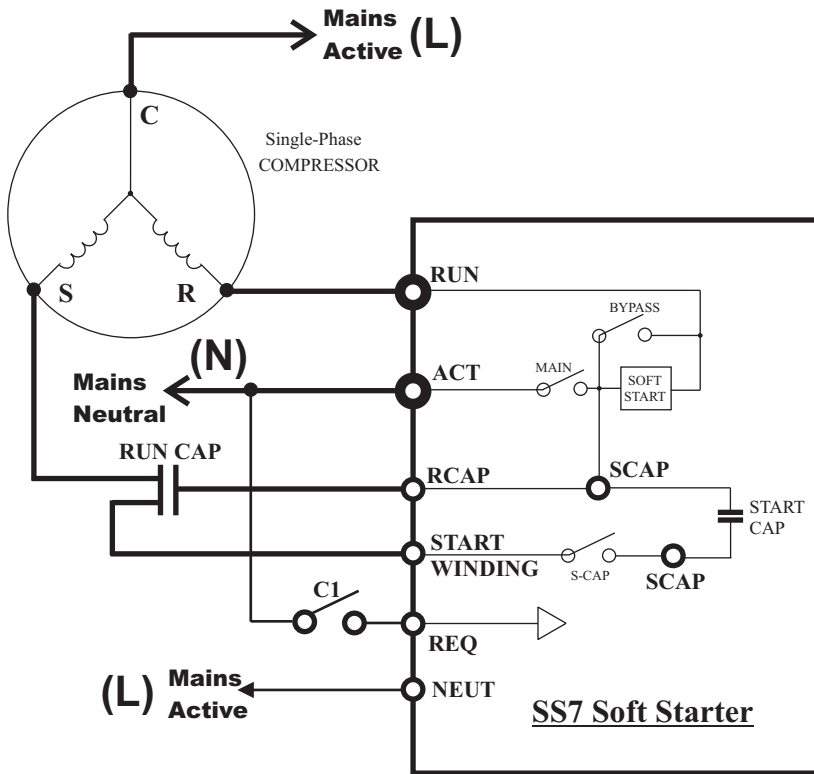
7/08/2008

DRAWING NUMBER

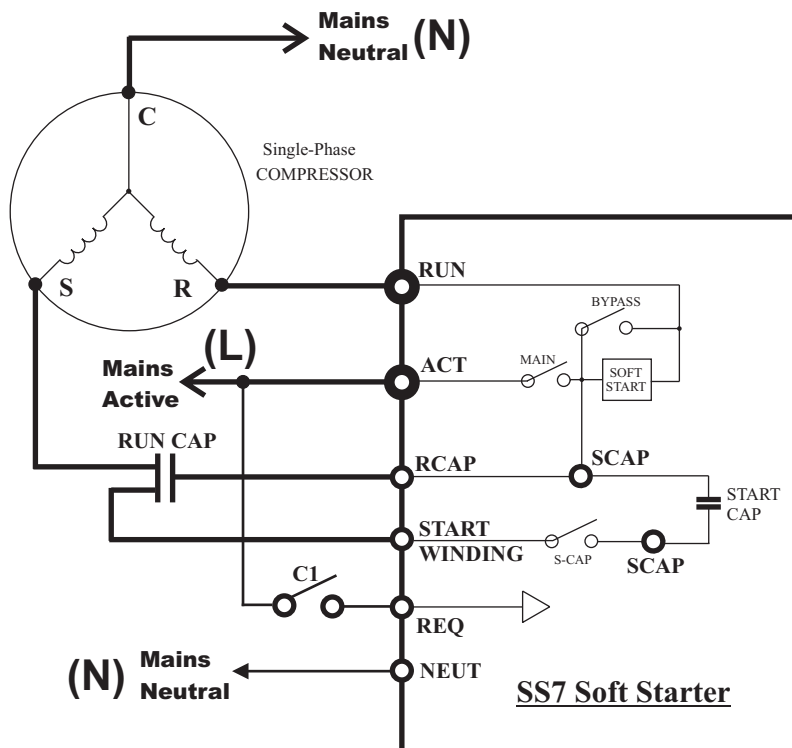
DPI-SS7R8-1

SS7R8 SINGLE PHASE SOFT STARTER WIRING GUIDE

Common Active Wiring



Common Neutral Wiring



SOFT START SS 7 FAULT/FUNCTION CODES		
SS 7 LED	DELAY TIME	FAULT/FUNCTION
ON	2-3 MINUTES	RANDOM DELAY AT FIRST POWER UP
ON	2 MINUTES	ANTI-CYCLE DELAY TIME AFTER STOPPING
BLINK 1	4 MINUTES	HIGH RUN CURRENT TRIP (> 50A)
BLINK 2	4 MINUTES	LOW RUN CURRENT TRIP (< 3A)
BLINK 3	4 MINUTES	MINIMUM STARTING CURRENT TRIP (< 20A)
BLINK 4	4 MINUTES	FAIL TO START COMPRESSOR WITHIN 0.5 SEC
BLINK 5	4 MINUTES	MAINS VOLTAGE BELOW 180VAC BEFORE START
OFF	-	UNIT READY TO START

ACTRON CONTROLS Pty Limited
 UNIT 30
 17-37 LORRAINE ST
 PEAKHURST NSW 2210
 SYDNEY AUSTRALIA
 PHONE: +61 2 9533 2300
 FAX: +61 2 9533 2252



SS7R8 SINGLE PHASE
 SOFT STARTER
 INSTALLATION GUIDE

REVISION DATE

DRAWING NUMBER

7/08/2008

DPI-SS7R8-1