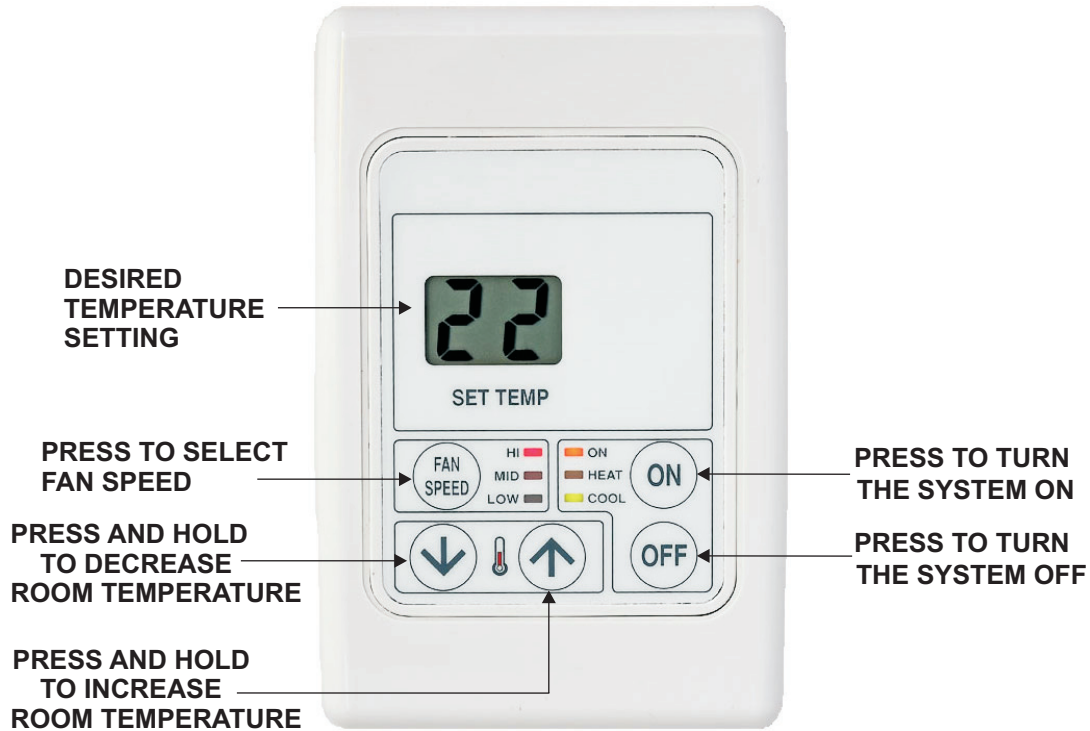
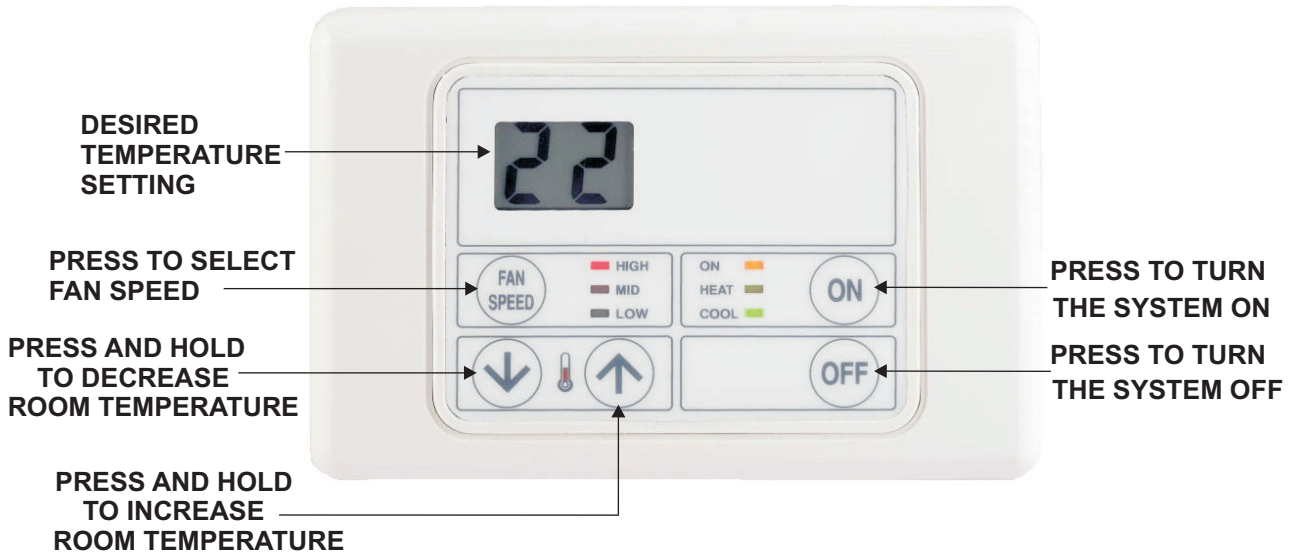


## Operating Instructions

### LE75RTV TEMPERATURE CONTROL



### LE75RT TEMPERATURE CONTROL

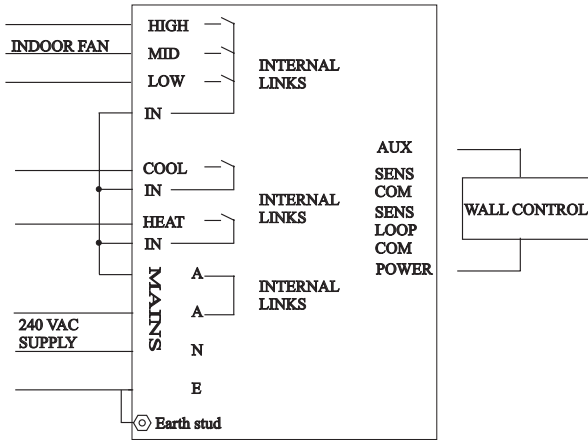


#### LED INDICATORS

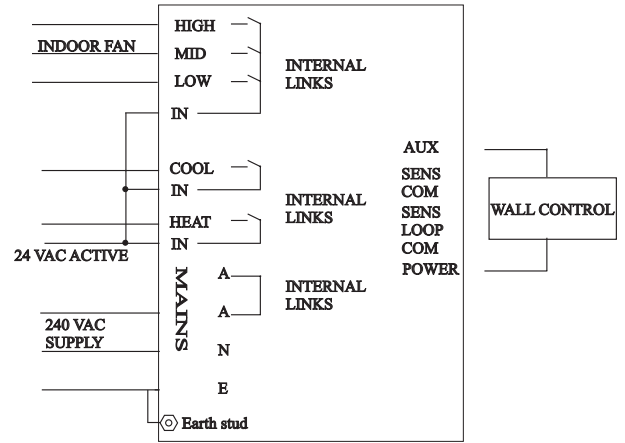
MAXIMUM FAN SPEED →	<b>HI</b>	<span style="border: 1px solid red; padding: 2px;">RED</span>	<span style="border: 1px solid orange; padding: 2px;">ORANGE</span>	<b>ON</b> ←	SYSTEM ON STATE
MEDIUM FAN SPEED →	<b>MID</b>	<span style="border: 1px solid orange; padding: 2px;">ORANGE</span>	<span style="border: 1px solid red; padding: 2px;">RED</span>	<b>HEAT</b> ←	HEATING OPERATION
MINIMUM FAN SPEED →	<b>LOW</b>	<span style="border: 1px solid green; padding: 2px;">GREEN</span>	<span style="border: 1px solid green; padding: 2px;">GREEN</span>	<b>COOL</b> ←	COOLING OPERATION

**Power wiring connections** Check A/C unit wiring diagram.

Single stage Heat/Cool or Single stage reverse cycle 240VAC

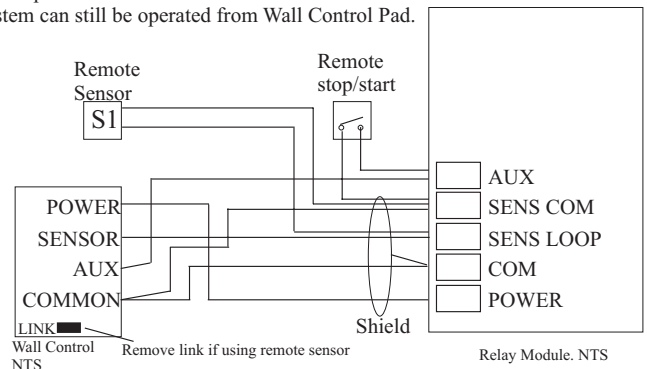
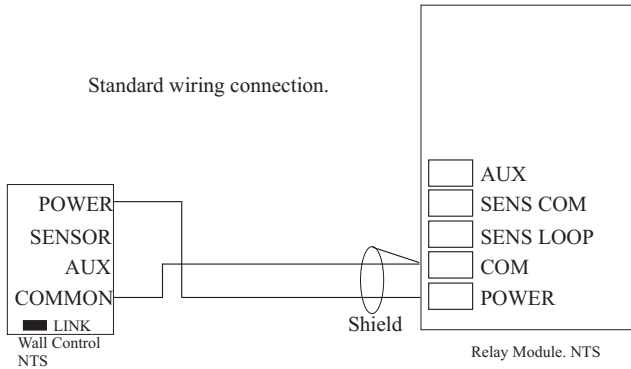


Single stage Heat/Cool or Single stage reverse cycle 24VAC



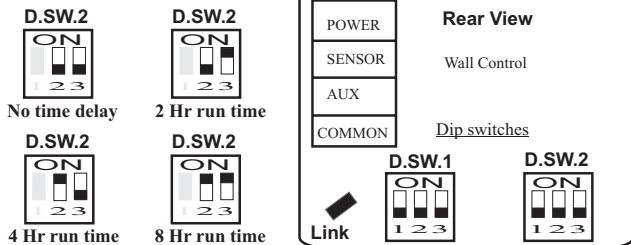
**Wall Control and Relay module control wiring connections**

External stop/start and remote sensor. Remove link on Wall Control Pad.  
NB. System can still be operated from Wall Control Pad.



**System run time set up**

**LE75RT**



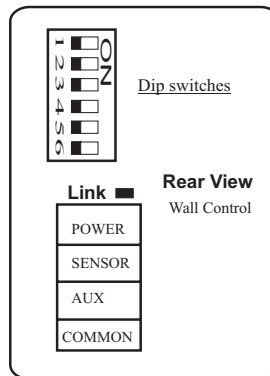
**DIP SWITCH 1 SETTINGS**

1	Cool/Electric(other)Heat	Off	Heat Pump(Rev Cycle)	On
2	Fan/Auto Select	Off	Fan Continuous	On
3	Three Speed Fan	Off	Single Speed Fan (HIGH Relay)	On

**DIP SWITCH 2 SETTINGS**

1	Reversing valve ON in Heat	Off	Reversing valve ON in Cool	On
2	System run time see above			
3	System run time see above			

**LE75RTV**



**DIP SWITCH SETTINGS**

1	Cool/Electric(other)Heat	Off	Heat Pump (Rev Cycle)	On
2	Fan/Auto Select	Off	Fan Continuous	On
3	Three Speed Fan	Off	Single Speed Fan (HIGH Relay)	On
4	Reversing valve ON in Heat	Off	Reversing valve ON in Cool	On
5	System run time see above			
6	System run time see above			

**COMMISSIONING and SERVICE KEYS**

To display high resolution temperature.  
Press and Hold FAN button press ON button and release both.  
Temperature reads in increments of 0.1oC. E.g 2.5=22.5 (MID led on)  
Fan Leds give you the range i.e. HIGH = 30's, MID = 20's, LOW = 10's  
Press any button to return controller to normal operation.

To reset Controller to Factory Default settings.  
Turn off power, hold ON button, turn on power.

**SPECIFICATIONS**

Power supply	240 Volts 50Hz
Relays. Five SPST volt free contacts	12 amps Res @ 250vac
Set point operating range	18oC to 28oC
Dead band. From Heating off to Cooling on	1.5K
Switching differential	0.5oC
Fan run on - Electric heating only	30 secs
One volt free auxiliary input supplied by others for remote start and stop.	
Sensor.	10K @ 25oC

**INSTALLER:**

**COMPANY:**

**TELEPHONE:**