

LE75AV & LE75AVA TEMPERATURE CONTROLLER

Description and method of control.

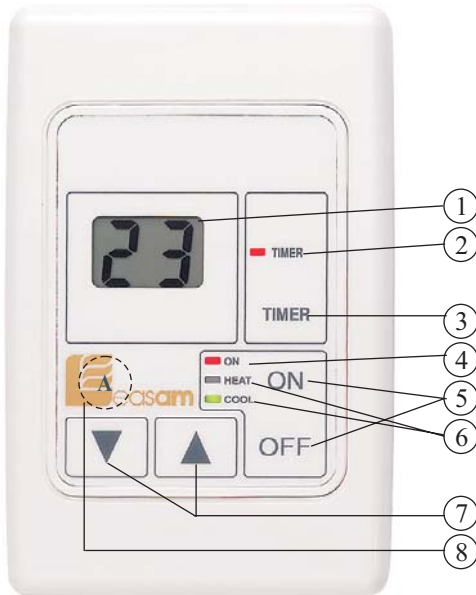
A three piece control, comprising a Wall Control, Relay Module and Duct Sensor to maintain individual zone temperature. On a call for heating the damper can open if the supply air is warmer than the room temperature. Damper closes 0.5oC below SP. On a call for cooling the damper can open if the supply air is cooler than the room temperature. Damper closes 0.5oC above SP.

Location of the Wall Control, duct sensor and option remote room sensor.

Wall control or optional remote wall sensor should be fixed to internal flat wall surface at approximately 1.5 metres above the floor level to sense the air at average room temperature. Avoid locations in direct sunlight, hot or cold drafts.

Duct sensor should be located before zone damper to sense the supply air temperature, extend sensor cable if required.

LE75AV Wall Control



Features and options

Features

1. Temperature set point display.
- 2.& 3. Timer set indication and Timer set button. See below for set up.
4. Indicates Zone system On.
5. To switch zone system on and off.
6. Heat or cool operating indication.
7. Temperature set point adjustment.

Press and hold Up or Down arrow to select new set point.

Quick press of Up arrow will display room temperature for 3 seconds

8. For technician. High resolution temperature display.

Room temperature. Hold concealed button 'A' press ON. Release both.

Duct temperature. Hold concealed button 'A' press OFF. Release both.

Temperature displayed in two digit form for 30 minutes. Example 3.1 - 23.1oC.

To exit display. Press any button.

Set Factory Default.

Turn off power. Hold ON button. Turn on power. Release ON

Options.

Remote sensor.

See wiring diagrams page 2

0.5 to 24 Hour Timer Operation

To switch zone system on. Press the **TIMER** button

TIMER LED flashes. Use **Up** or **Down** arrows to set the time to start.

Press **TIMER** button. **Timer LED** On.

To switch zone system off . Press the **TIMER** button.

TIMER LED flashes. Use **Up** or **Down** arrows to set the time to stop.

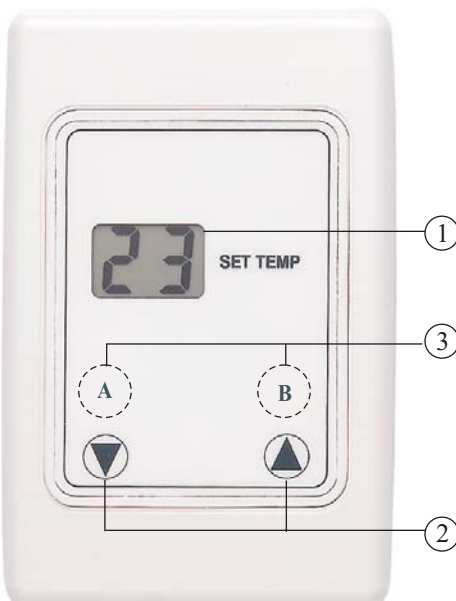
Press **TIMER** button. **Timer LED** On.

NB: Time adjustable 0.5 to 24 hours.

To cancel or reset timer press **Off** button.

Pressing the **TIMER** button after it has been set will show time left before system starts or stops. I.e 1.5= 1 hour and 30 minutes.

LE75AVA Wall Control



Features and options.

Features

1. Temperature set point display.

2. Temperature set point adjustment.

Press and hold Up or Down arrow to select new set point.

Quick press of Up arrow to display room temperature for 3 seconds.

3. For technician. High resolution temperature display.

Room temperature .Hold concealed button 'A' press 'B'. Release both.

Duct temperature. Hold concealed button 'A' press UP arrow. Release both.

Temperature display in two digit form for 30 minutes. Example 3.1 - 23.1oC.

To exit display. Press Up or Down button.

Set Factory Default.

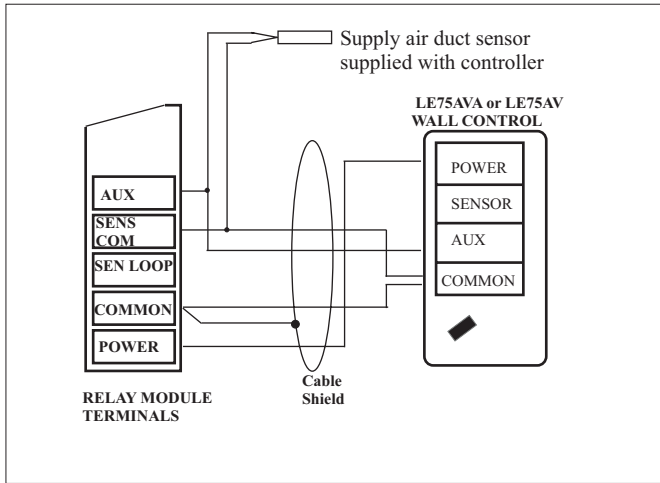
Turn of power. Hold concealed button 'B'. Turn on power. Release 'B'.

Options

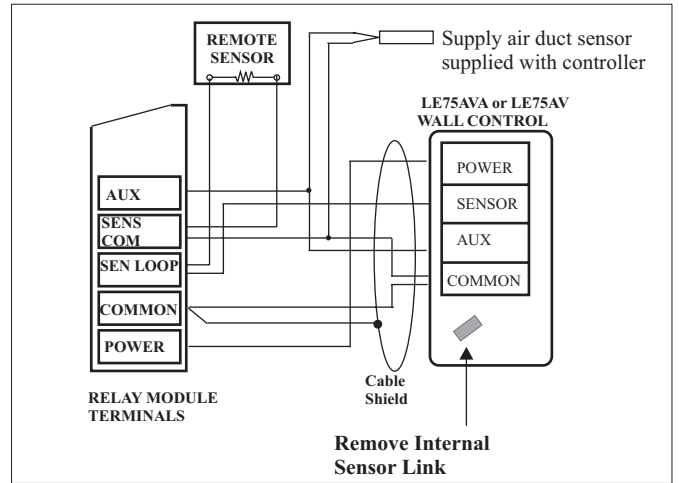
Remote sensor.

See wiring diagrams page 2.

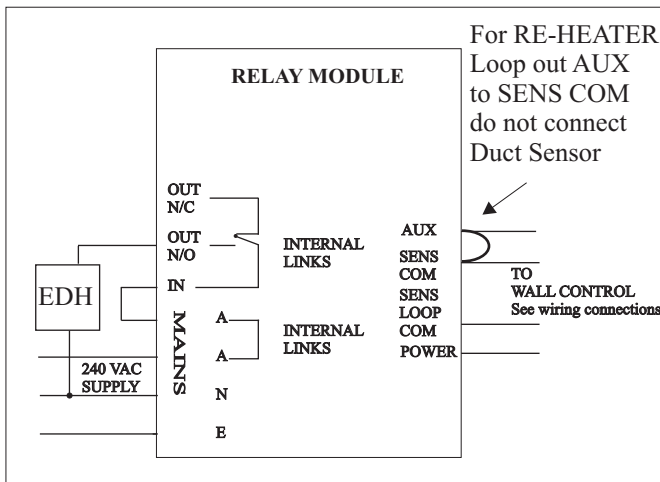
Standard wiring connection between Relay Module and Wall Control Pad



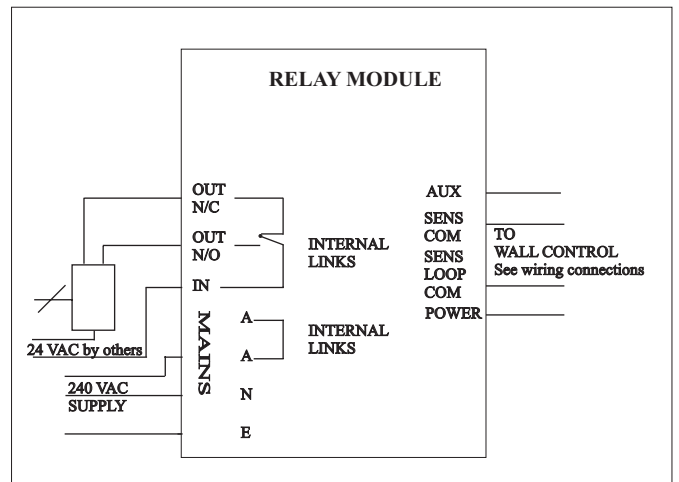
Remote sensor connection



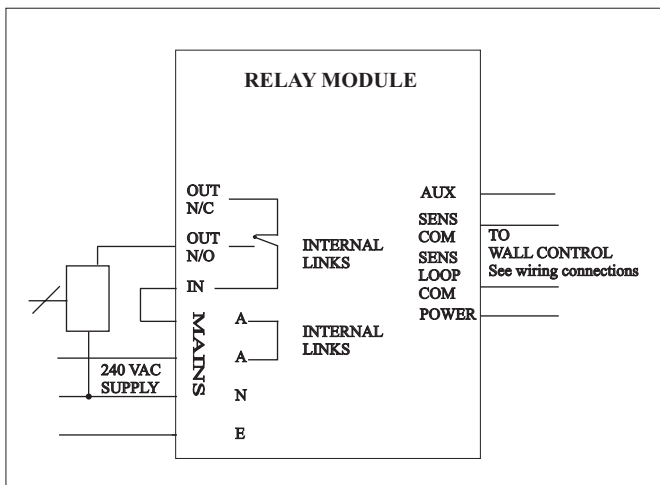
Standard 240vac EDH RE-HEATER room controller.



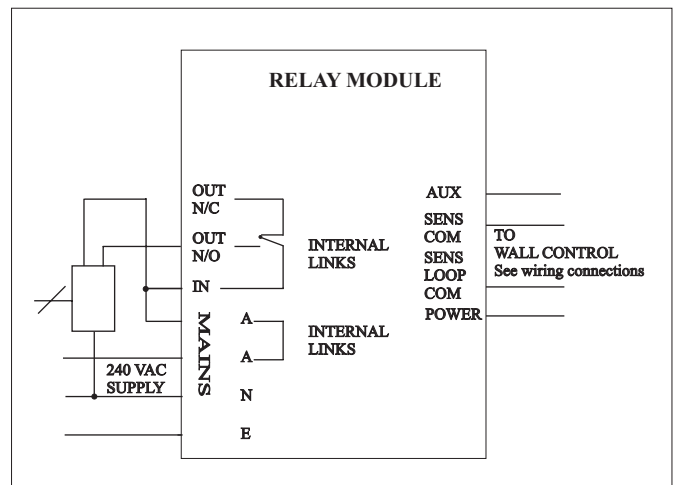
Standard 24vac Drive Open/Drive Close actuator.



Standard 240vac Drive Open/Spring Close actuator.



2 point control, reversible type Drive Open/Drive Close actuator. Similar to Belimo.



Notes.

Duct sensor.

Locate sensor before zone being controlled to detect supply air temperature. Extend sensor wiring if required for better location.